

SFP-TG-TCx 10GBase-T Copper SFP+ Transceiver

Product Features

- Up to 10Gb/s bi-directional data links
- Hot-pluggable SFP+ footprint
- Fully metallic enclosure for low EMI
- Low power dissipation
- Compact RJ-45 connector assembly
- Access to physical layer IC via 2-wire serial bus
- Supports Links up to 30m using Cat 6a/7 Cable
- RoHS Compliant
- Operating case temperature: 0°C to 70°C



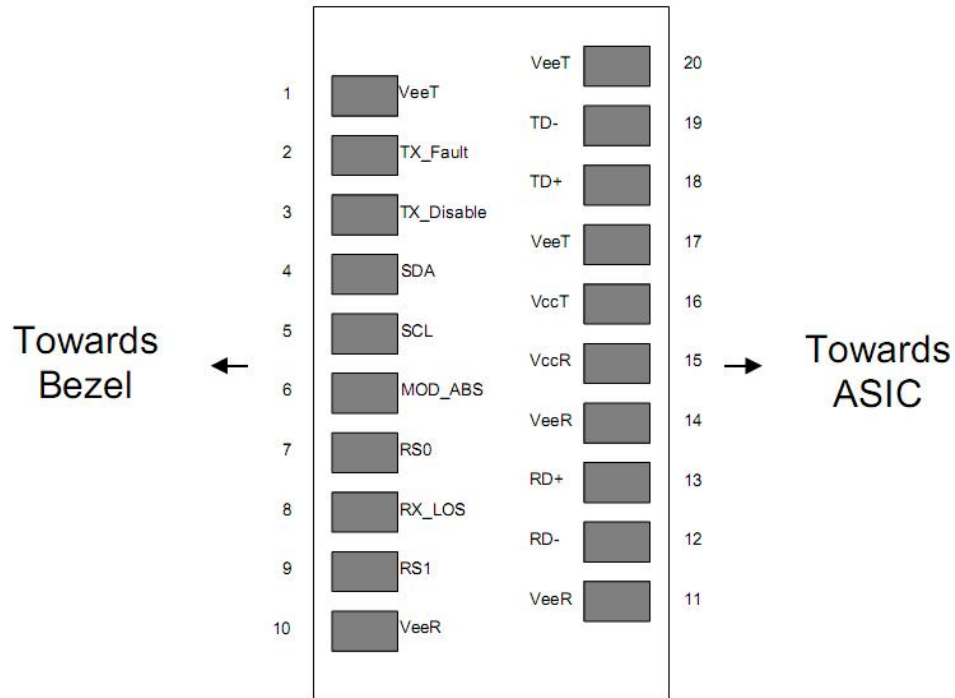
Applications

- 10 Gigabit Ethernet over Cat 6a/7 cable
- 5000GBASE-T over Cat 5e cable
- 2500GBASE-T over Cat 5e cable
- 1.25 Gigabit Ethernet over Cat 5e cable
- 100M Ethernet over Cat 5e cable
- 10M Ethernet over Cat 5e cable

Description

SFP-TG-TCx Copper Enhanced Small Form Pluggable (SFP+) transceivers are high performance, cost effective module compliant with the 10G Ethernet and 10GBASE-T standards as specified in IEEE 802.3az, which supporting 10Gbps data- rate up to 30 meters reach over unshielded twisted-pair category 6a/7 cables. The module provides standard serial ID information compliant with SFP+ MSA, which can be accessed with address of A0h via the 2wire serial EEPROM protocol.

Pin Descriptions



Pin	Signal Name	Description	Plug Seq.	Notes
1	V _{EET}	Transmitter Ground	1	
2	TX FAULT	Transmitter Fault Indication	3	Not supported
3	TX DISABLE	Transmitter Disable	3	
4	SDA	SDA Serial Data Signal	3	
5	SCL	SCL Serial Clock Signal	3	
6	MOD_ABS	Module Absent. Grounded within the module	3	
7	RS0	Not Connected	3	
8	LOS	Loss of Signal	3	
9	RS1	Not Connected	3	
10	V _{EER}	Receiver ground	1	
11	V _{EER}	Receiver ground	1	
12	RD-	Inv. Received Data Out	3	
13	RD+	Received Data Out	3	
14	V _{EER}	Receiver ground	1	
15	V _{CCR}	Receiver Power Supply	2	
16	V _{CCT}	Transmitter Power Supply	2	
17	V _{EET}	Transmitter Ground	1	

18	TD+	Transmit Data In	3	
19	TD-	Inv. Transmit Data In	3	
20	V _{EET}	Transmitter Ground	1	

+3.3V Volt Electrical Power Interface

The SFP-TG-TCA has an input voltage range of +3.3V +/- 5%.

Table 1. +3.3V Volt electrical power interface

+3.3V volt Electrical Power Interface						
Parameter	Symbol	Min	Typ	Max	Units	Notes/Conditions
Supply Current	I _s			750	mA	2.5W max power over full range of voltage and temperature. See caution note below
Input Voltage	V _{cc}	3.13	3.3	3.47	V	Referenced to GND
Maximum Voltage	V _{max}			4	V	
Surge Current	I _{surge}			30	mA	Hot plug above steady state current.

General Specifications

Table 2. General specifications

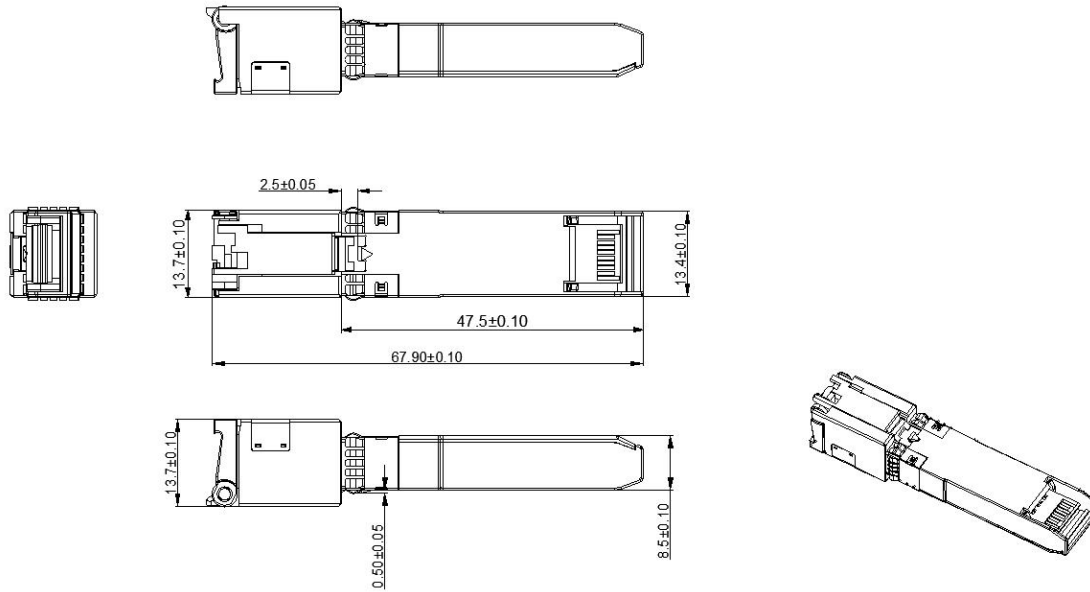
General						
Parameter	Symbol	Min	Typ	Max	Units	Notes/Conditions
Data Rate	BR		10.3		Gb/sec	IEEE 802.3 compatible.
Cable Length	L			30	m	Category 6a/7 UTP. BER <10-12

Environmental Specifications

Table 3. Environmental specifications

Environmental Specifications						
Parameter	Symbol	Min	Typ	Max	Units	Notes/Conditions
Operating Temperature	T _{op}	0		70	°C	Case temperature
Storage Temperature	T _{sto}	-40		85	°C	Ambient temperature

Mechanical Specifications



Ordering information

Part Number	Tx_DIS	Link Indicator on Rx_LOS Pin	Host Interface	Temp.
SFP-TG-TCA	Yes	Yes	XFI with Rate Matching	0~70°C
SFP-TG-TCB	Yes	Yes	XFI/5GBASE-R/2500GBASE-X/SGMII, SGMII Auto-Negotiation On	0~70°C

For More Information

Tel:+86-755-23301665

E-mail : sales@fibertoptech.com

Web: <http://www.fibertopsfp.com>